

## The efficient way to set curtain eyelets

Fully automatic system to set **Ø40 mm curtain eyelets** and washers on curtains.

### Automatic eyelet feeding

Eyelets are loaded on the deposit and are fed to the setting area through the raceway.

### Automatic washer feeding

Washers are loaded on a vibratory bowl feeder that aligns and feed them automatically in the raceway, avoiding overlapping.

### Eyelet spacer

Adjustable spacer to set all eyelets to the same distance.

### Pre-cutting mode

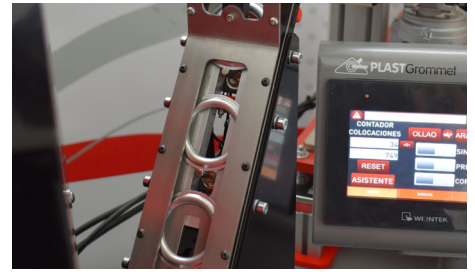
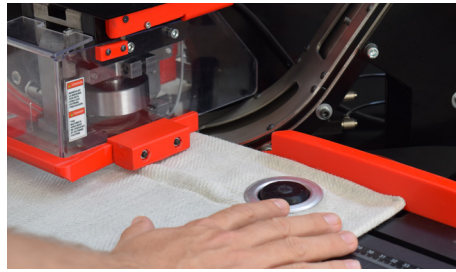
Avoid wrinkles around the eyelet on special fabrics.  
Automatic cycle that pressing the pedal once first does material cutting and then eyelet setting.


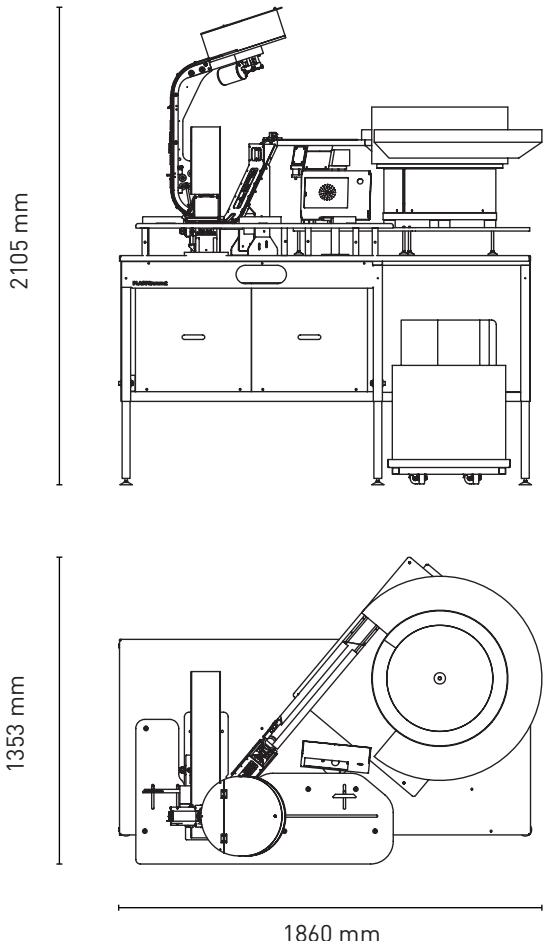
### Operator terminal with touch screen

- Total and partial counter
- Working modes (pre-cutting or standard)
- Alarms
- Eyelets per curtain



1. Eyelets deposit | 2. Hydraulic eyelet press | 3. Waste collector | 4. Foot pedal  
5. Washer vibratory bowl feeder | 6. Control mirror | 7. Touch screen



Compatible eyelets:	<ul style="list-style-type: none"> <li>• PLASTGrommet steel eyelet Ø40 mm</li> <li>• PLASTGrommet aluminium eyelet Ø40 mm</li> </ul>
Power consumption:	3.5 kW
Compressed air:	0.6 MPa (6 bar / 87 psi)
CE Mark:	
Dimensions:	 <p>2105 mm</p> <p>1353 mm</p> <p>1860 mm</p>